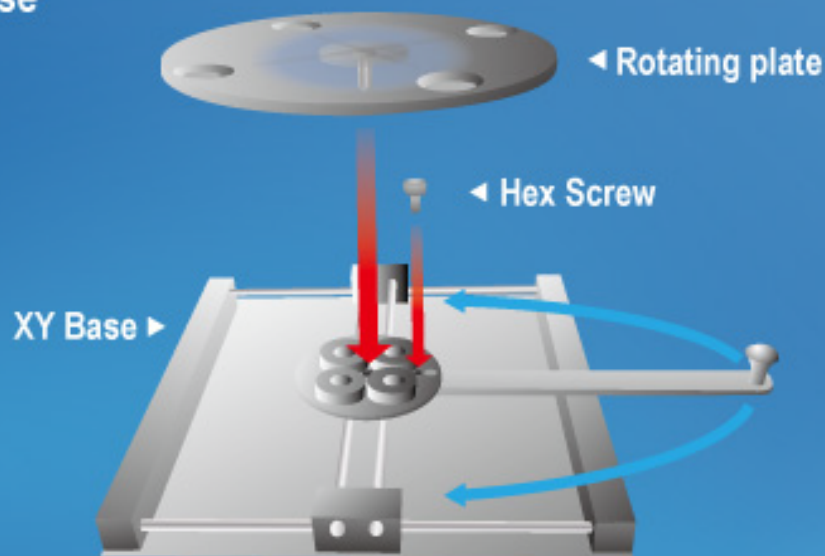


MS25X Instruction manual

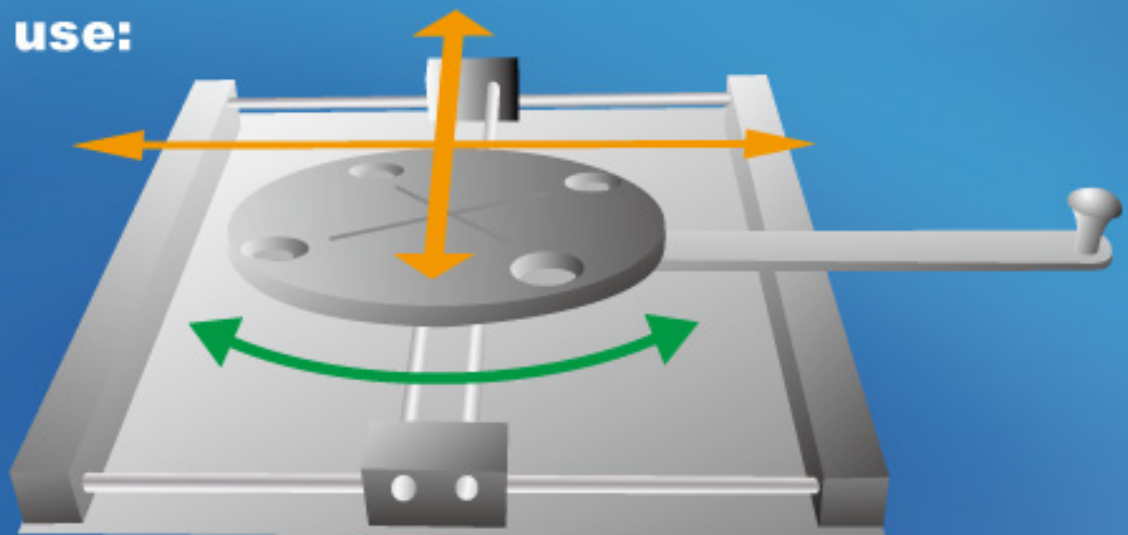
Dino-Lite XY Inspection Turntable

Assembly:

1. Insert rotating plate to XY-Base
2. Use the hex screw to hold the arm in place (optional)
3. Ready to use



How to use:



Box contents:

XY Base X1 , Rotating plate X1 , Hex Screw X1

